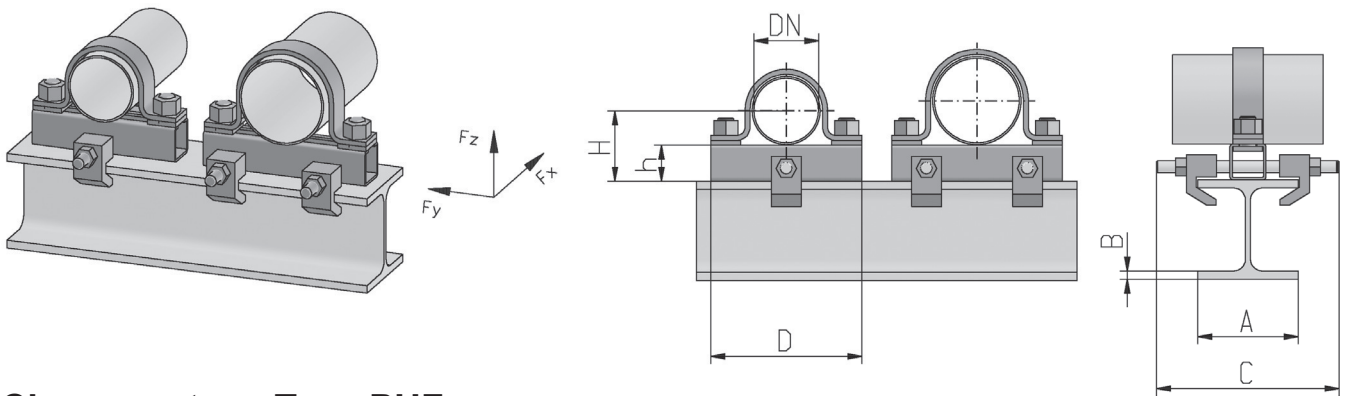


DN 15 - DN 150 DN 200 - DN 300

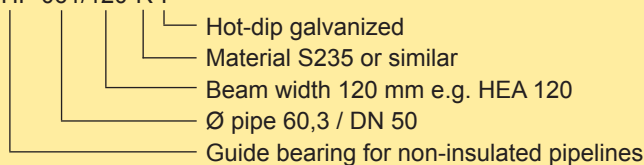


Clamp system, Type PHF

Guide bearing for non-insulated pipelines	
Material:	S235 or similar, threaded parts 8.8 / 8, hot-dip galvanized; **
Camber:	M12 - 30 Nm
Joining profile width:	80 - 120 mm, other profiles on request *

Article no.	Ø pipe [mm]	H (MOP) [mm]	h (BOP) [mm]	A [mm]	B [mm]	C [mm]	D [mm]	loads [kN]		weight [kg]
								F _x	F _z	
PHF-022/120-R-F	21,3	51	40	80 - 120	8 - 16	180	103	2,0	1,5	1,4
PHF-027/120-R-F	26,9	53	40	80 - 120	8 - 16	180	108	2,0	1,5	1,5
PHF-034/120-R-F	33,7	57	40	80 - 120	8 - 16	180	115	2,0	1,5	1,5
PHF-043/120-R-F	42,4	61	40	80 - 120	8 - 16	180	124	2,0	1,5	1,6
PHF-049/120-R-F	48,3	64	40	80 - 120	8 - 16	180	131	2,0	1,5	1,7
PHF-057/120-R-F	57,0	69	40	80 - 120	8 - 16	180	134	2,0	1,5	1,7
PHF-061/120-R-F	60,3	70	40	80 - 120	8 - 16	180	138	2,0	1,5	1,8
PHF-077/120-R-F	76,1	78	40	80 - 120	8 - 16	180	158	2,0	1,5	1,9
PHF-089/120-R-F	88,9	84	40	80 - 120	8 - 16	180	171	2,0	1,5	2,0
PHF-115/120-R-F	114,3	97	40	80 - 120	8 - 16	180	196	2,0	1,5	2,3
PHF-140/120-R-F	139,7	110	40	80 - 120	8 - 16	180	200	2,0	1,5	2,5
PHF-169/120-R-F	168,3	124	40	80 - 120	8 - 16	180	250	2,0	1,5	2,8
PHF-220/120-R-F	219,1	150	40	80 - 120	8 - 16	180	301	2,0	1,5	3,8
PHF-273/120-R-F	273,0	177	40	80 - 120	8 - 16	180	354	2,0	1,5	4,2
PHF-324/120-R-F	323,9	202	40	80 - 120	8 - 16	180	405	2,0	1,5	4,7

Ordering example: PHF-061/120-R-F



* Notes: Should you need a clamp-systems for other types of section, please indicate this in article-no. e.g. Rohr-Ø 60,3; HEA 160: PHF-061/160-R-F

** Notes: Clamp-system also available for stainless steel pipes. Ordering example: PHF-061/120-RF-V
Other diameters on request.